

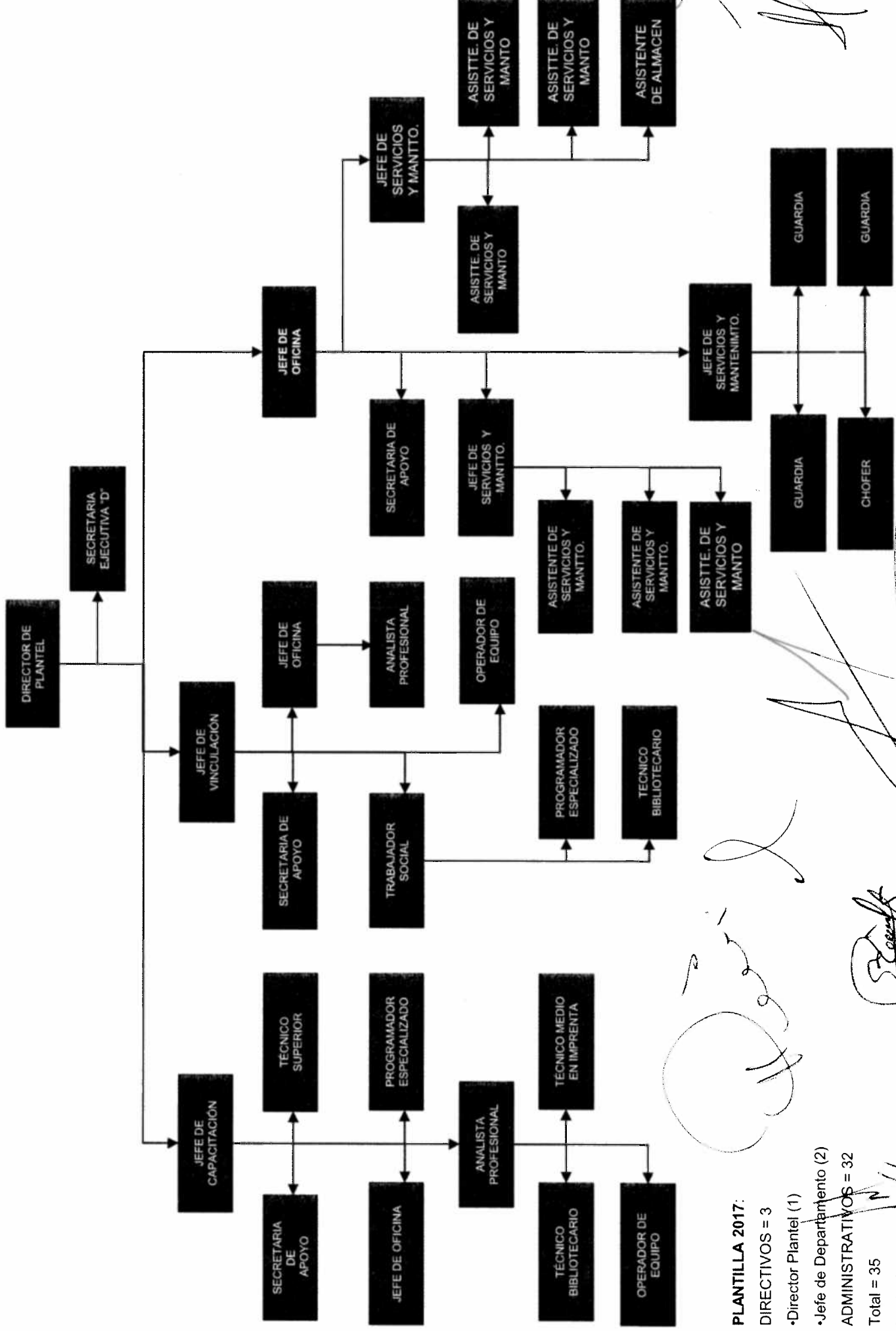
DIRECCIÓN GENERAL



PLANTILLA RH ACTUAL 2017:
 DIRECTIVOS = 12
 Director General (1)
 Director Área (4)
 Jefe de Depto. (7)
 ADMINISTRATIVOS = 54
 Total = 66

(Handwritten signatures and initials)

PLANTEL TLAQUEPAQUE



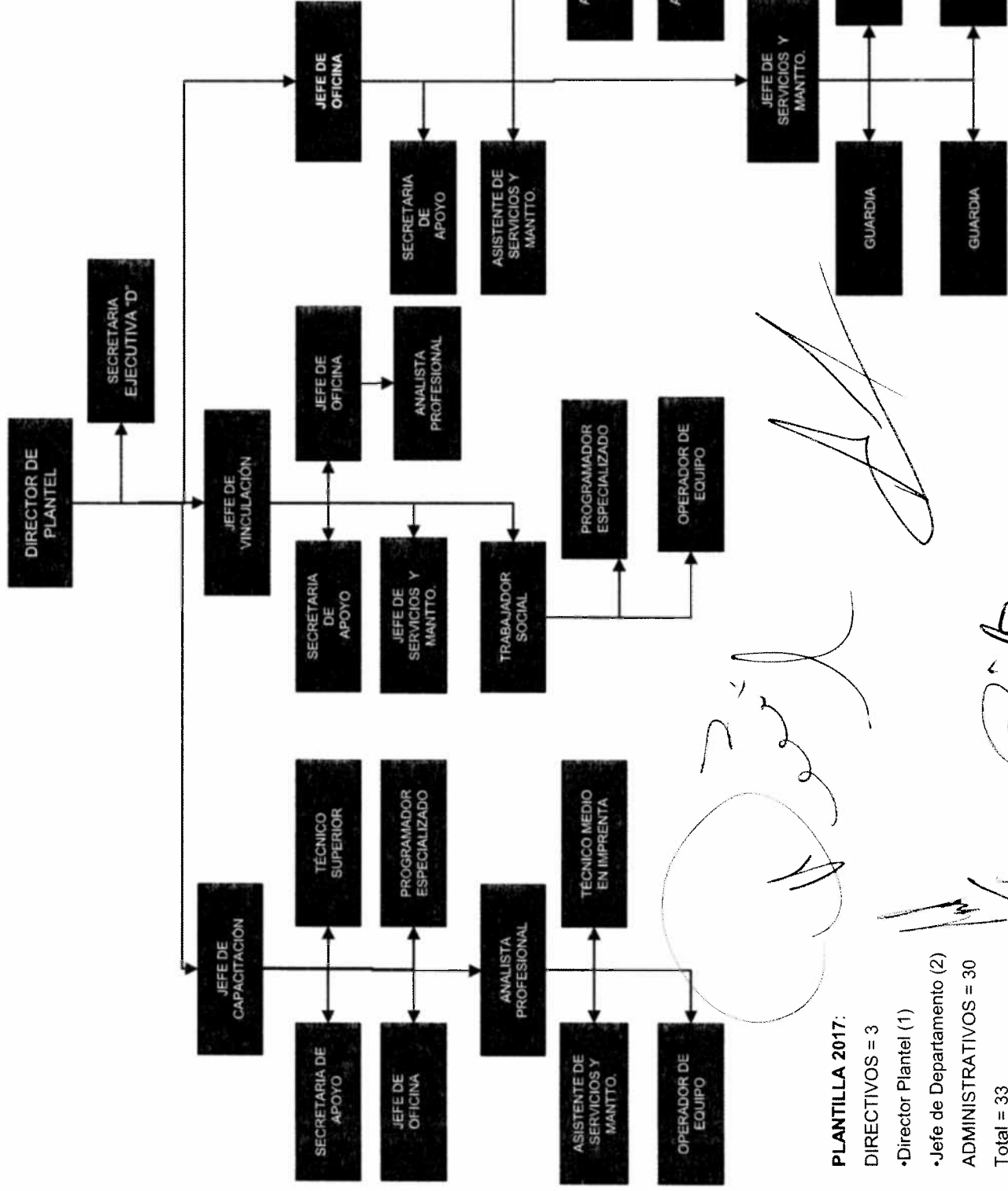
PLANTILLA 2017:
 DIRECTIVOS = 3
 •Director Plantel (1)
 •Jefe de Departamento (2)
 ADMINISTRATIVOS = 32
 Total = 35
 TIPO "C"

[Handwritten signatures and initials]

[Large handwritten signature]

[Handwritten mark]

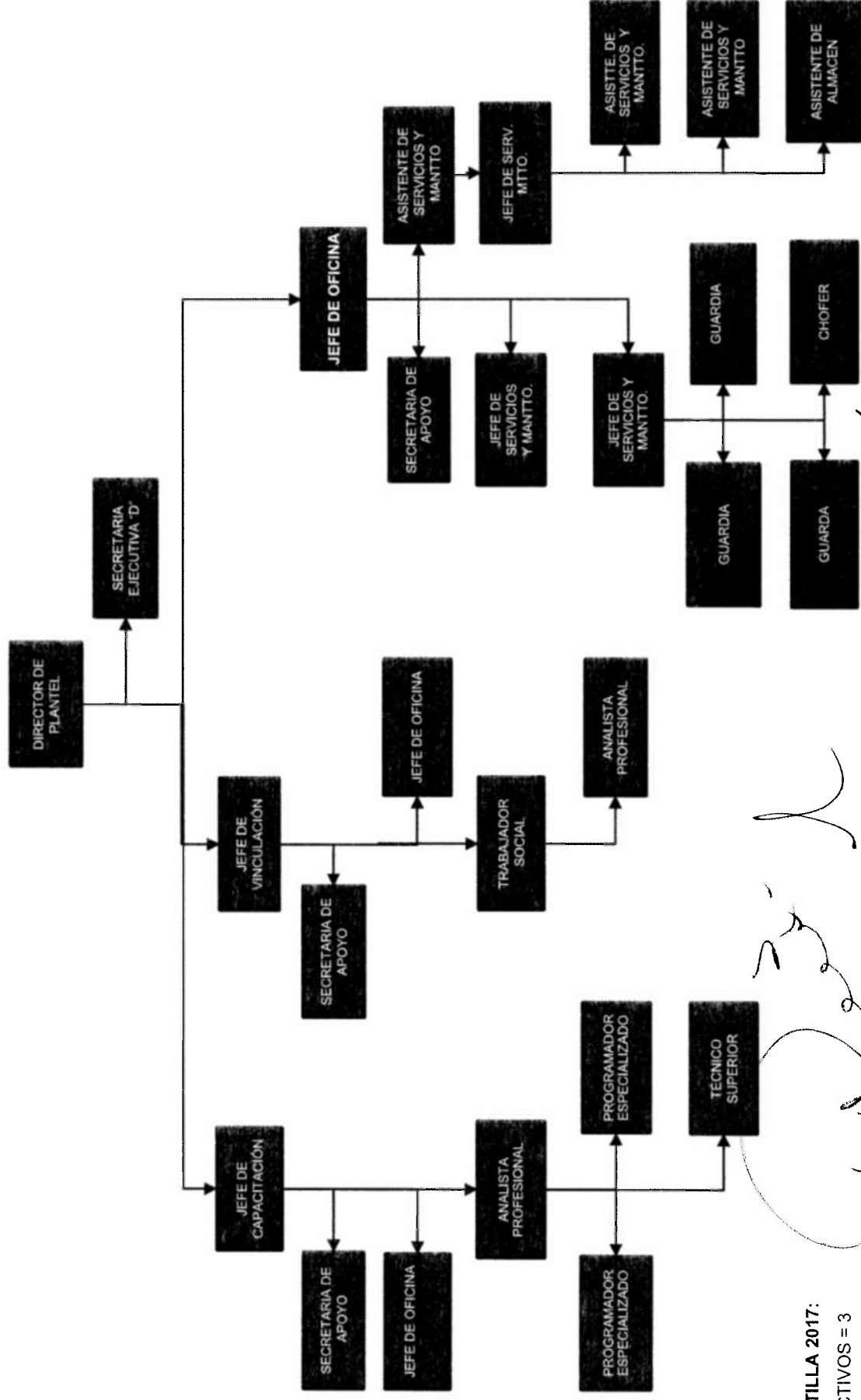
PLANTEL IXTLAHUACÁN DE LOS MEMBRILLOS



PLANTILLA 2017:
 DIRECTIVOS = 3
 •Director Plantel (1)
 •Jefe de Departamento (2)
 ADMINISTRATIVOS = 30
 Total = 33
 TIPO= "C"

[Handwritten signatures and initials are present in the right margin of the document.]

[Handwritten mark or signature at the bottom right corner.]



PLANTILLA 2017:

DIRECTIVOS = 3

•Director Plantel (1)

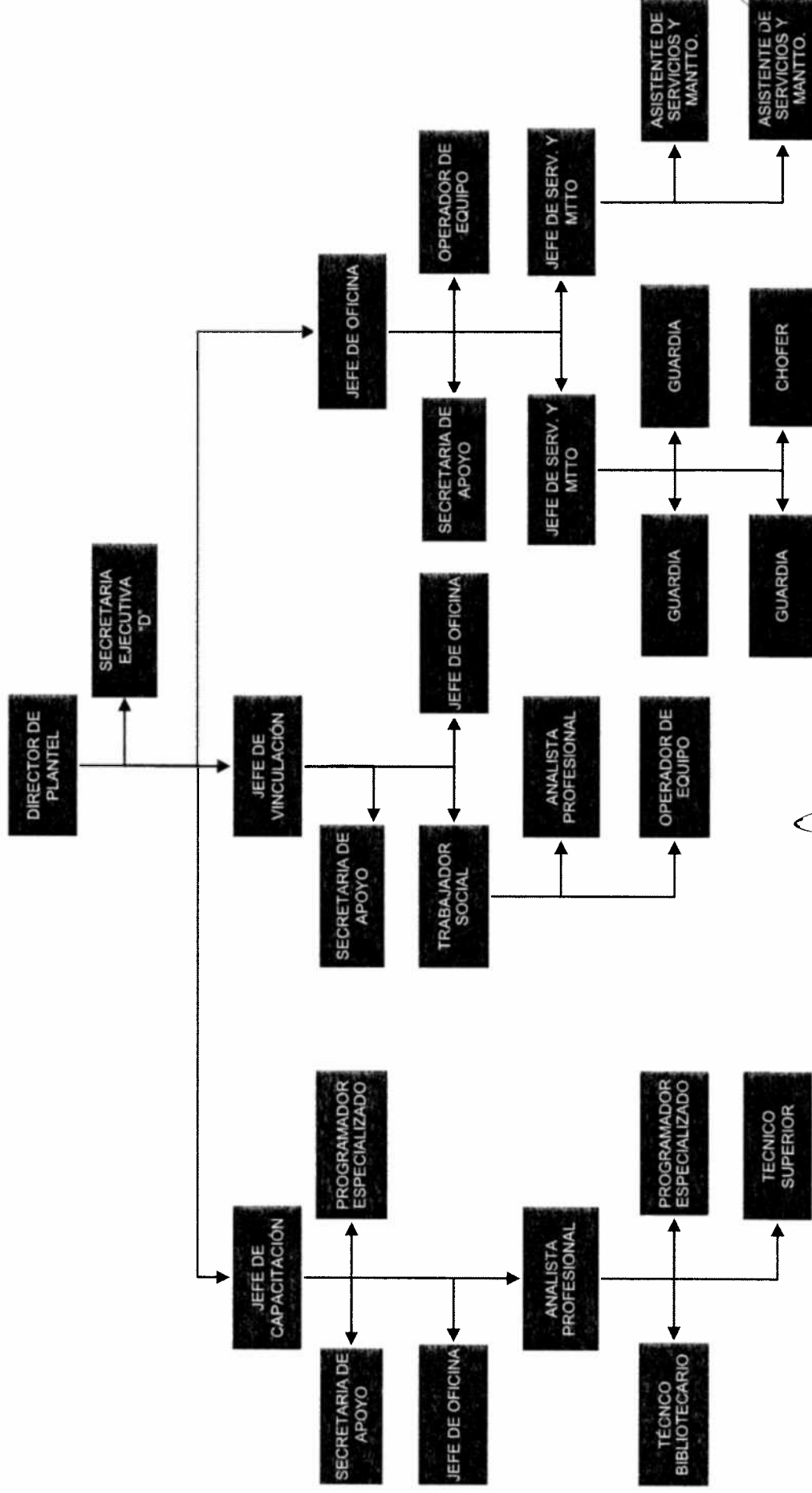
•Jefe de Departamento (2)

ADMINISTRATIVOS = 24

Total = 27

TIPO "B"

Handwritten signatures and initials are present throughout the document, including a large signature at the top right, a signature in the middle right, and several initials at the bottom right.



PLANTILLA 2017:

DIRECTIVOS = 3

• Director Plantel (1)

• Jefe de Departamento (2)

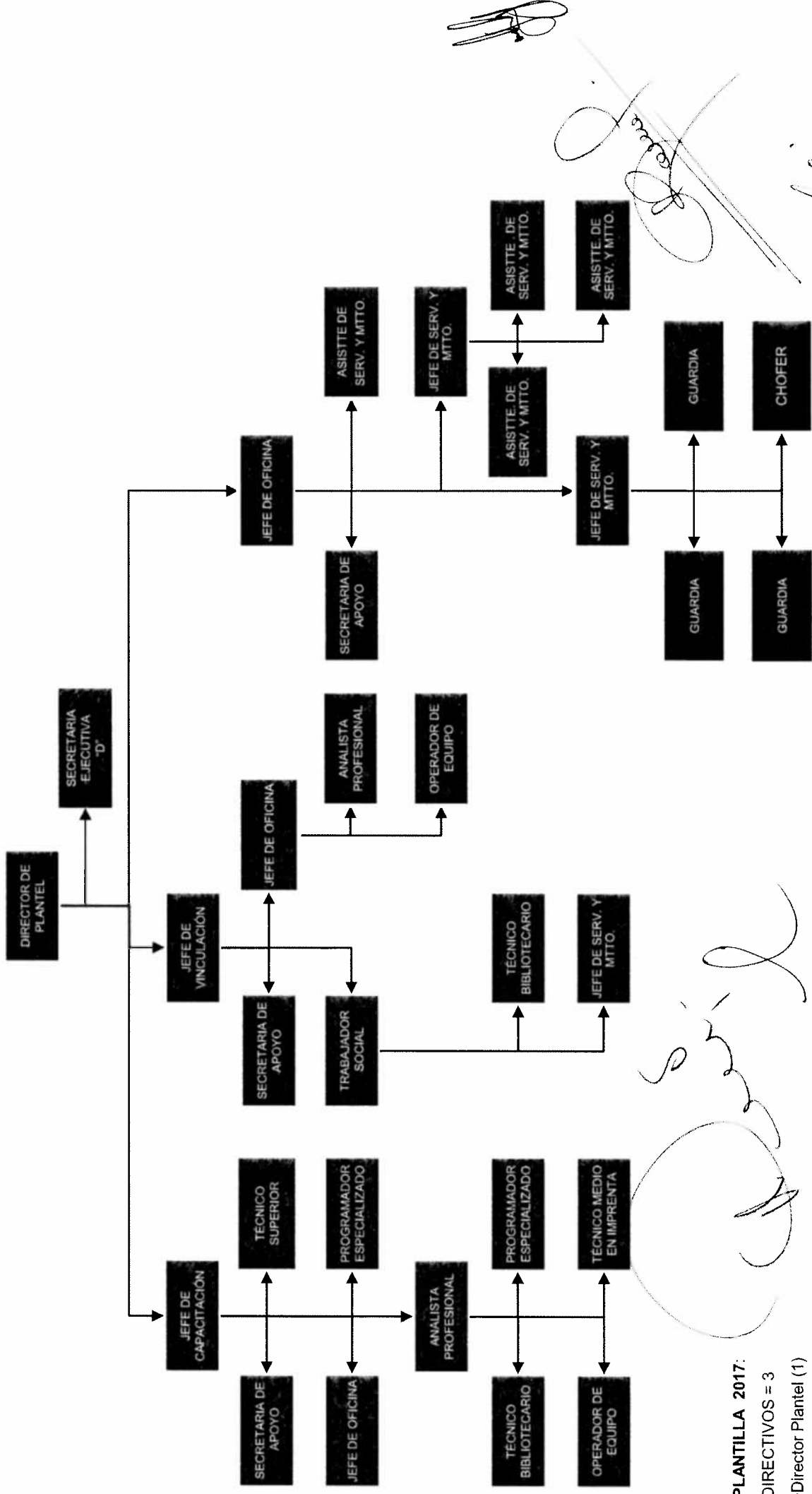
ADMINISTRATIVOS = 24

Total = 27

TIPO "B"

[Handwritten signatures and initials]

[Handwritten signatures and initials]



PLANTILLA 2017:

DIRECTIVOS = 3

•Director Plantel (1)

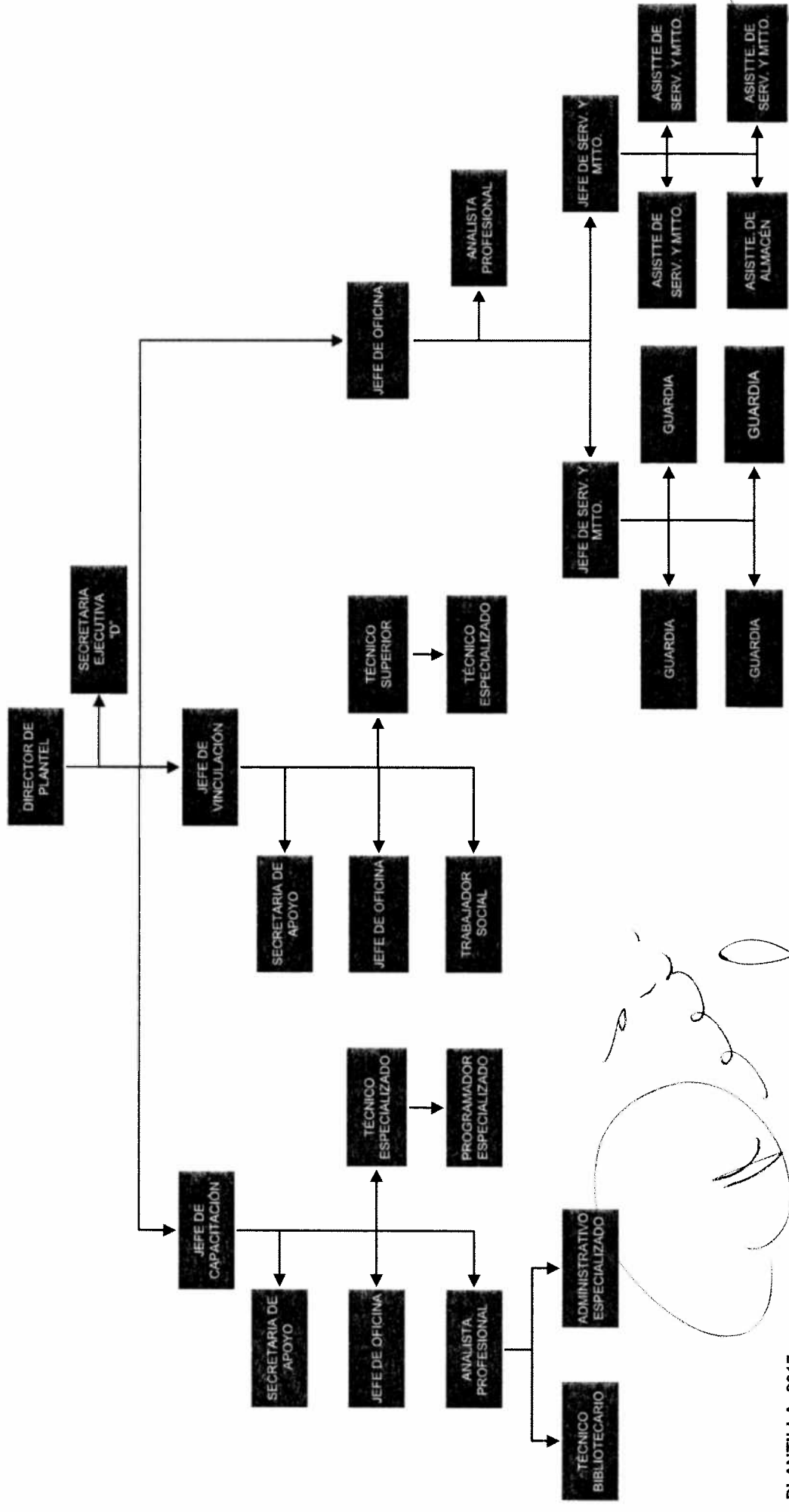
•Jefe de Departamento (2)

ADMINISTRATIVOS = 29

Total = 32

TIPO "B"

[Handwritten signatures and initials]



PLANTILLA 2017:

DIRECTIVOS = 3

•Director Plantel (1)

•Jefe de Departamento (2)

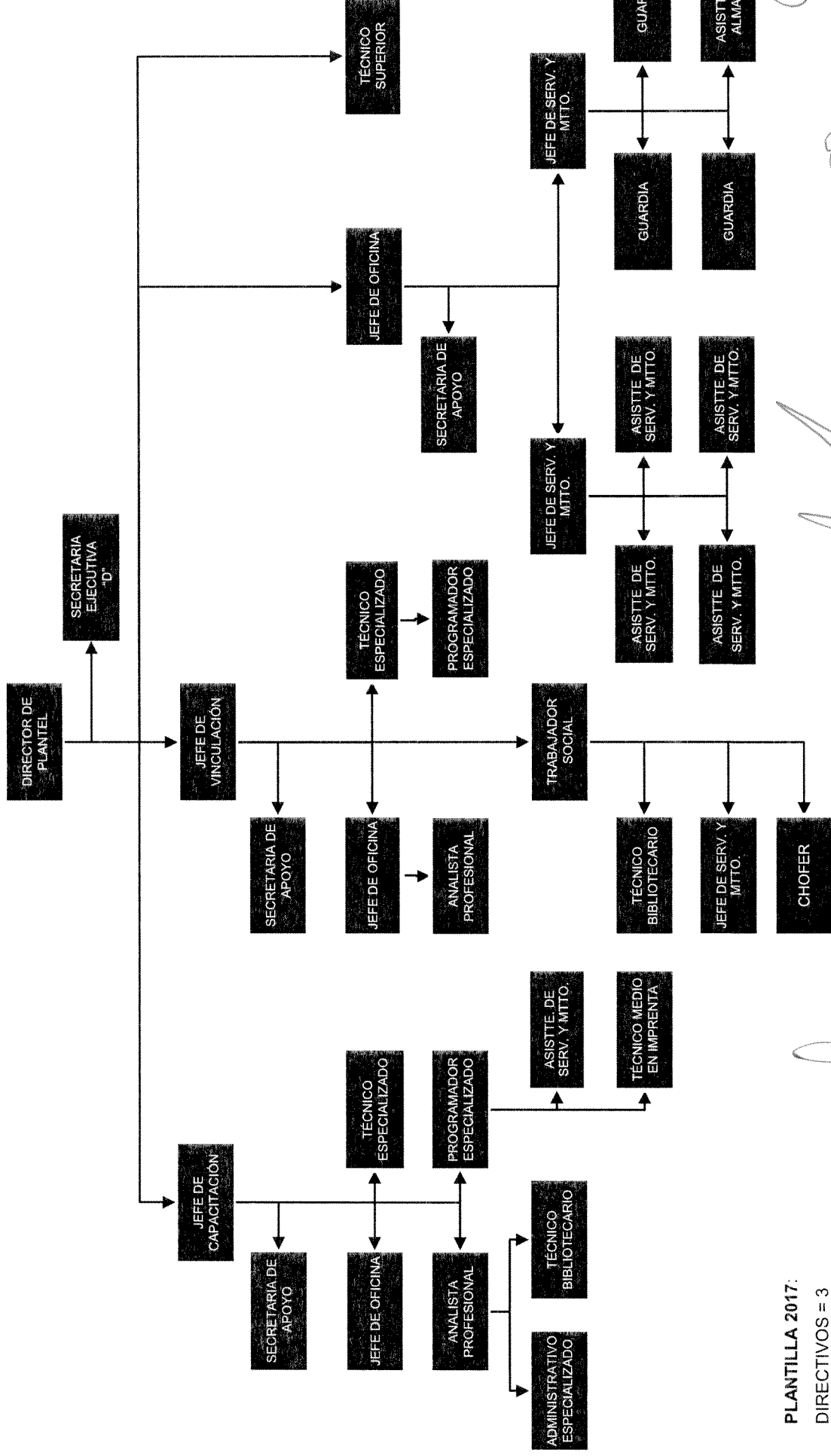
ADMINISTRATIVOS = 25

Total = 28

TIPO "B"

[Handwritten signatures and marks]

[Handwritten signature]



PLANTILLA 2017:

DIRECTIVOS = 3

• Director Plantele (1)

• Jefe de Departamento (2)

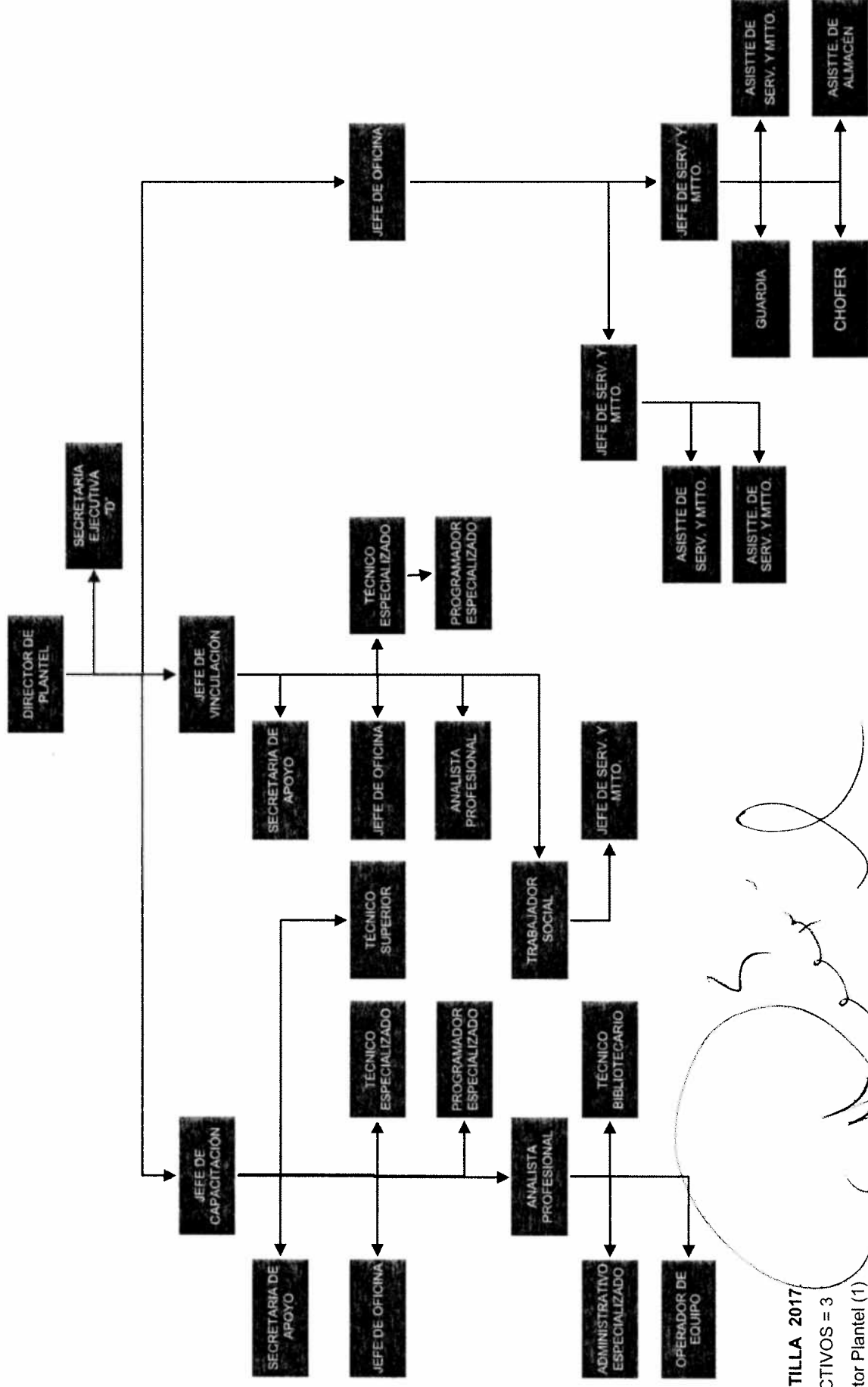
ADMINISTRATIVOS = 32

Total = 35

TIPO "C"

Handwritten signatures and initials are present throughout the page, including a large signature at the top right and several smaller ones at the bottom right.

PLANTEL LAGOS DE MORENO



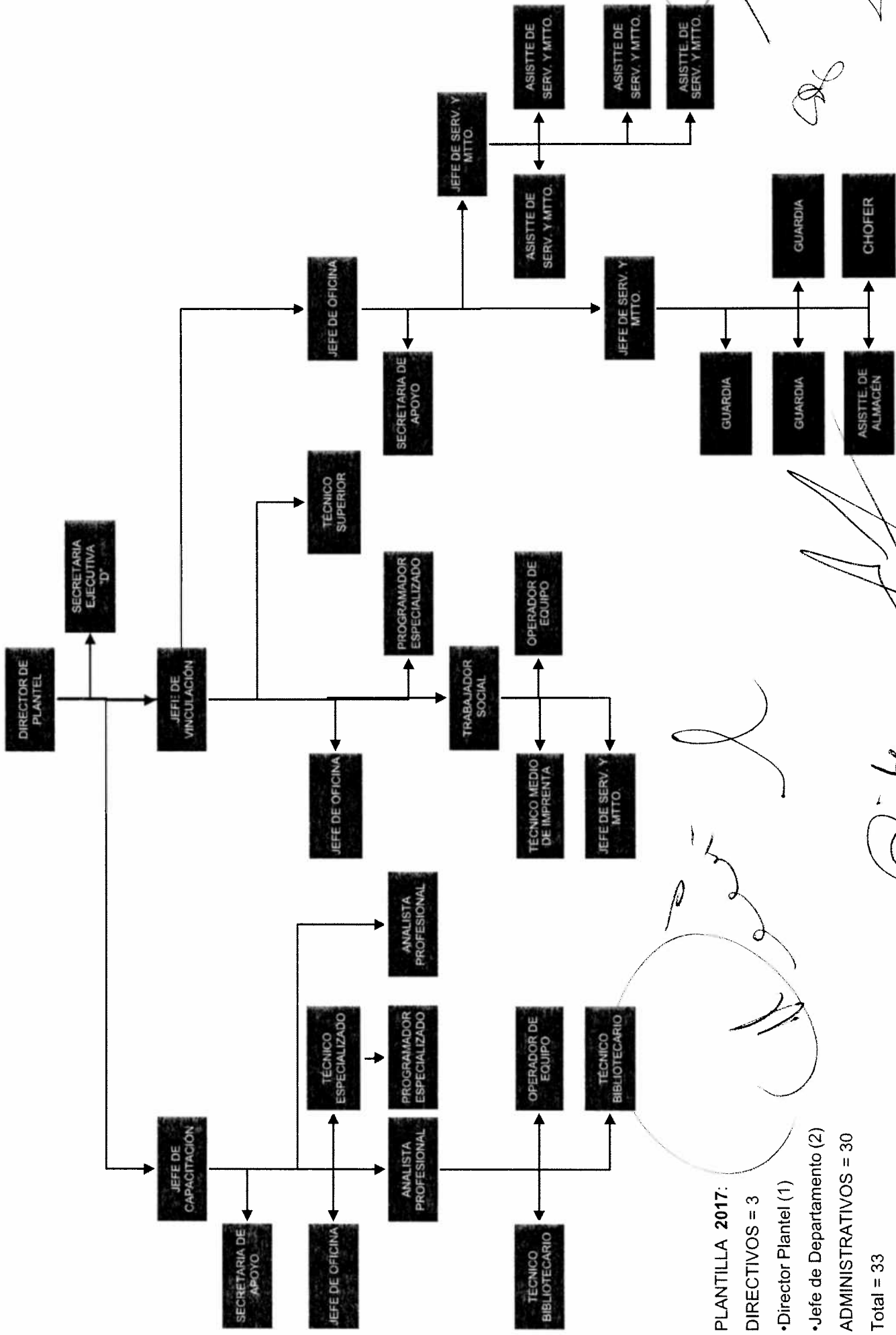
PLANTILLA 2017
DIRECTIVOS = 3
•Director Plantel (1)
•Jefe de Departamento (2)
ADMINISTRATIVOS = 26

Total = 29
TIPO "B"

[Handwritten signatures and notes]

Class

[Handwritten signature]

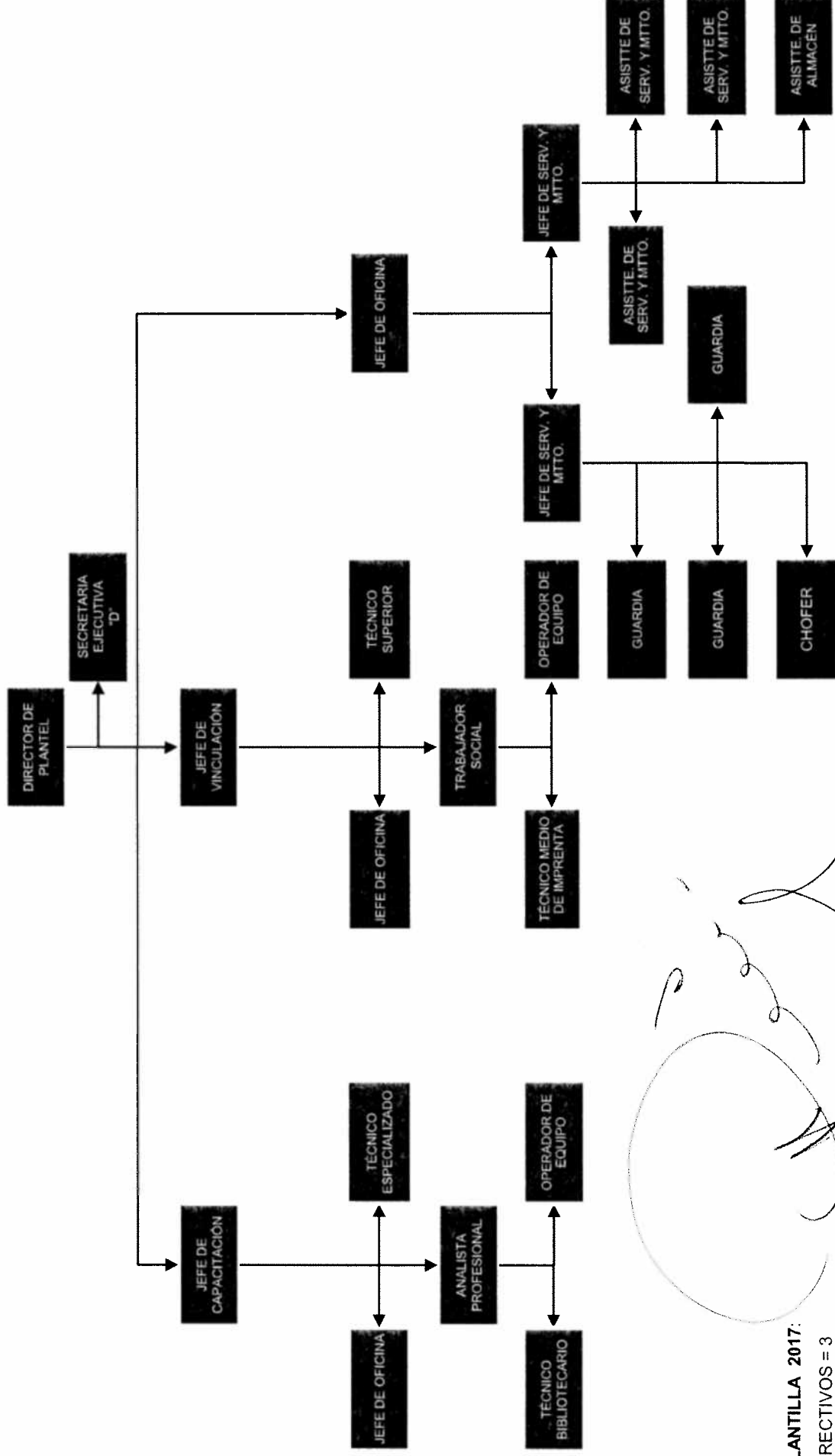


PLANTILLA 2017:
DIRECTIVOS = 3
 •Director Plantel (1)
 •Jefe de Departamento (2)
ADMINISTRATIVOS = 30
 Total = 33
 TIPO "B"

[Handwritten signatures and initials]

[Large handwritten signature]

[Handwritten signature]



PLANTILLA 2017:

DIRECTIVOS = 3

•Director Plantel (1)

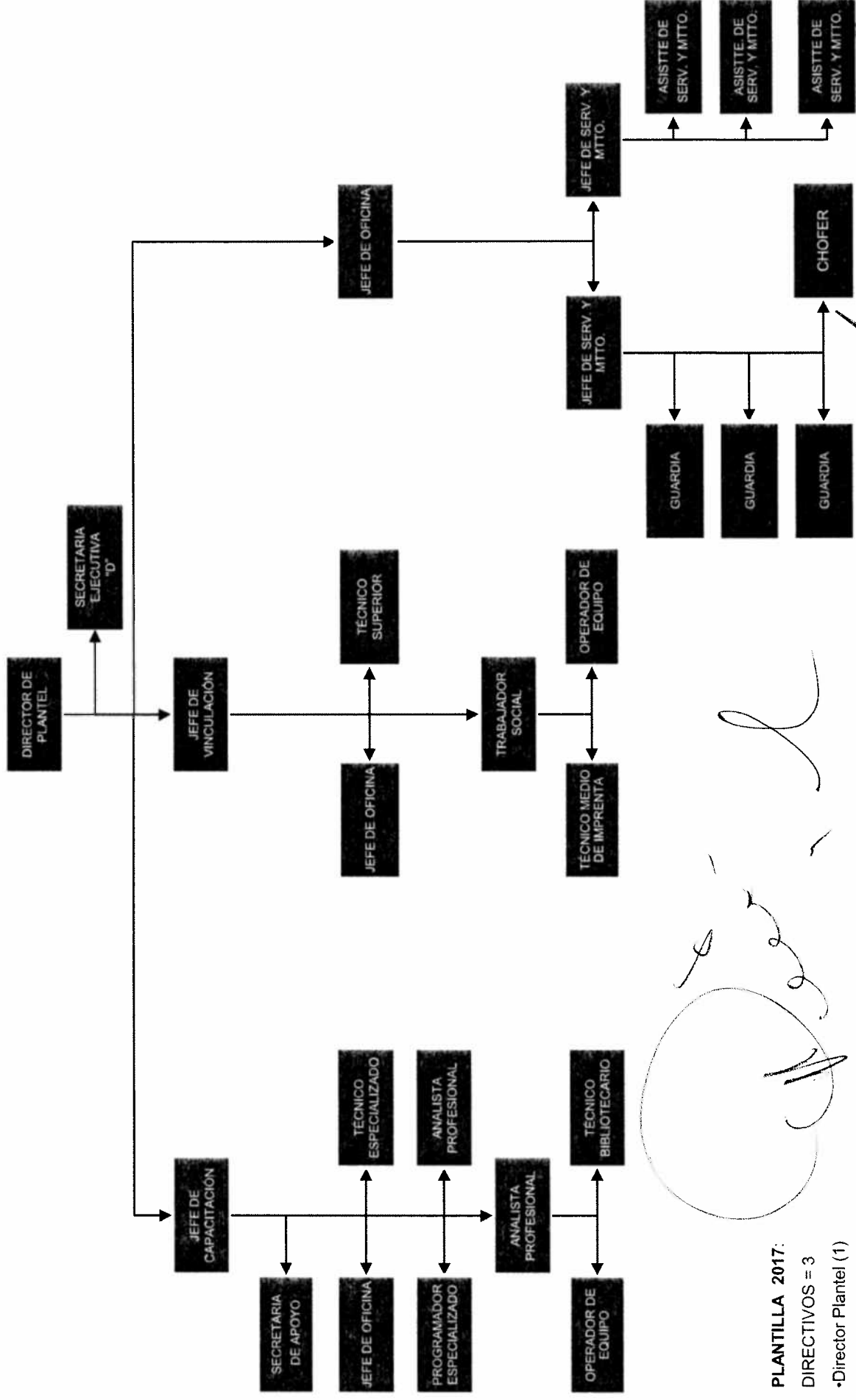
•Jefe de Departamento (2)

ADMINISTRATIVOS = 22

Total = 25

TIPO "B"

[Handwritten signatures and initials]



PLANTILLA 2017:

DIRECTIVOS = 3

• Director Planteles (1)

• Jefe de Departamento (2)

ADMINISTRATIVOS = 24

Total = 27

TIPO "B"

[Handwritten signature]

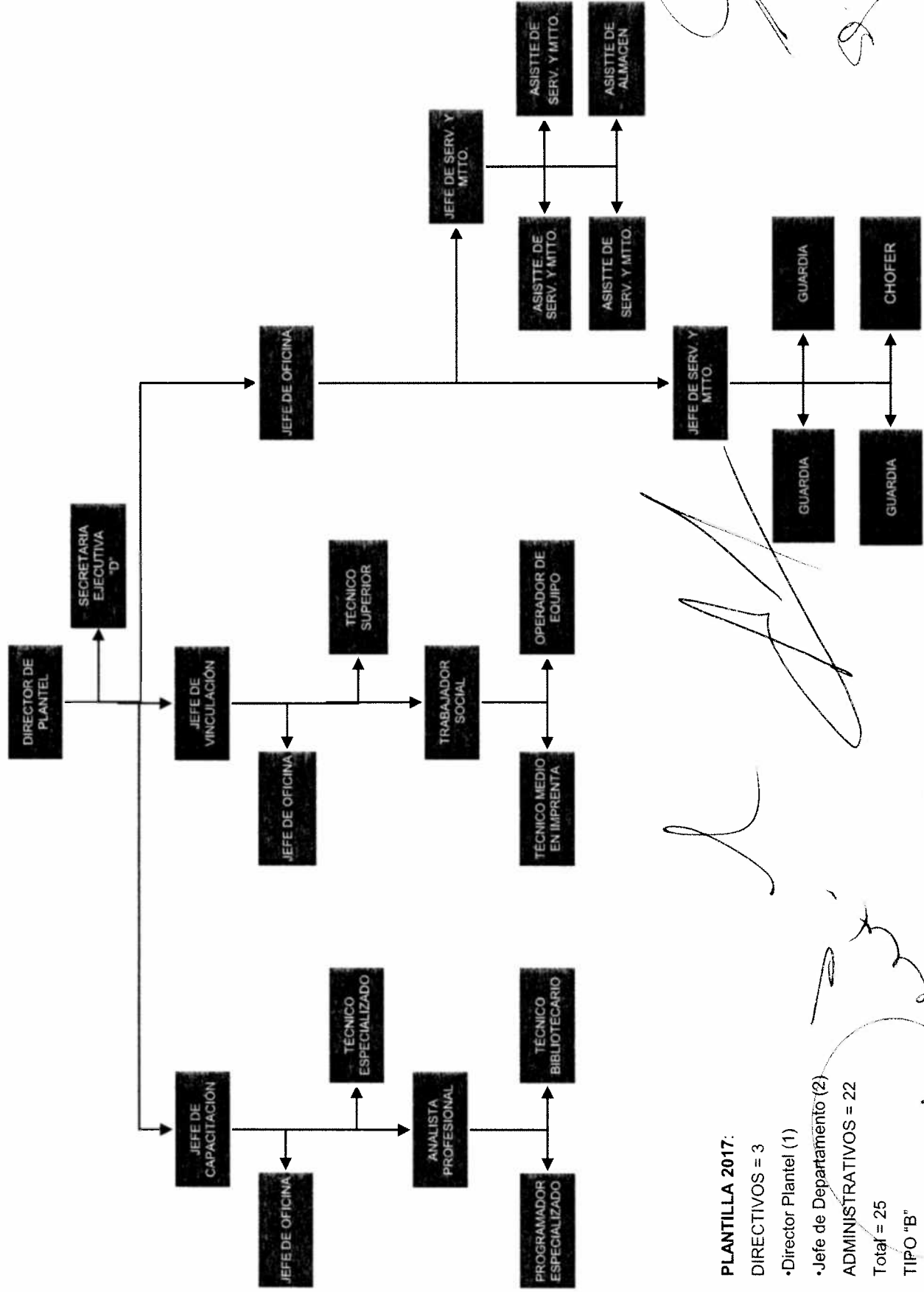
[Handwritten signature]

[Handwritten signature]

[Handwritten signature]

[Handwritten signature]

PLANTEL AMATITÁN



PLANTILLA 2017:

DIRECTIVOS = 3

•Director Plantel (1)

•Jefe de Departamento (2)

ADMINISTRATIVOS = 22

Total = 25

TIPO "B"

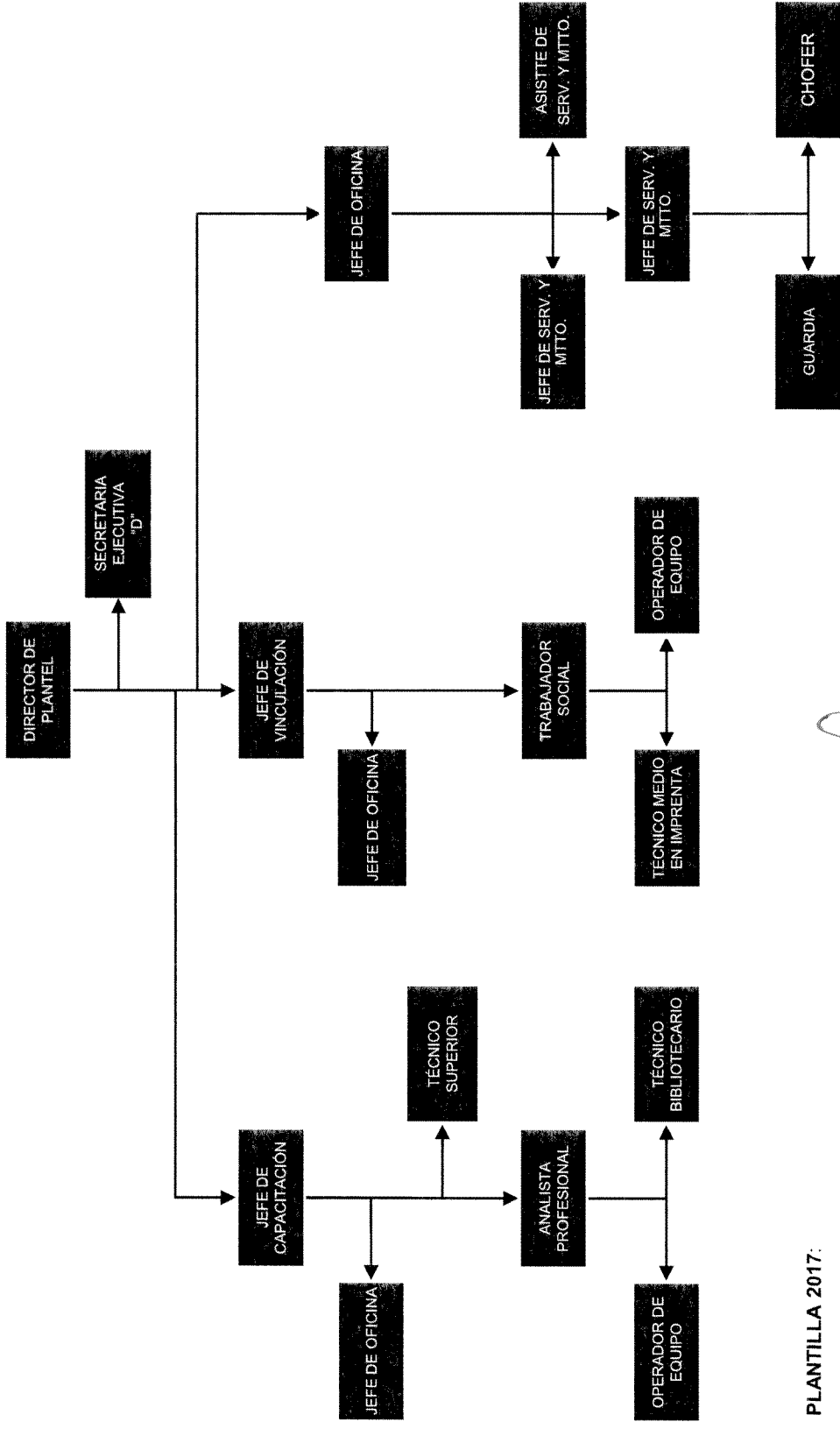
[Handwritten signatures and initials]

[Large handwritten signature]

[Large handwritten signature]

[Handwritten signature]

[Handwritten signature]



PLANTILLA 2017:

DIRECTIVOS = 3

• Director Plantele (1)

• Jefe de Departamento (2)

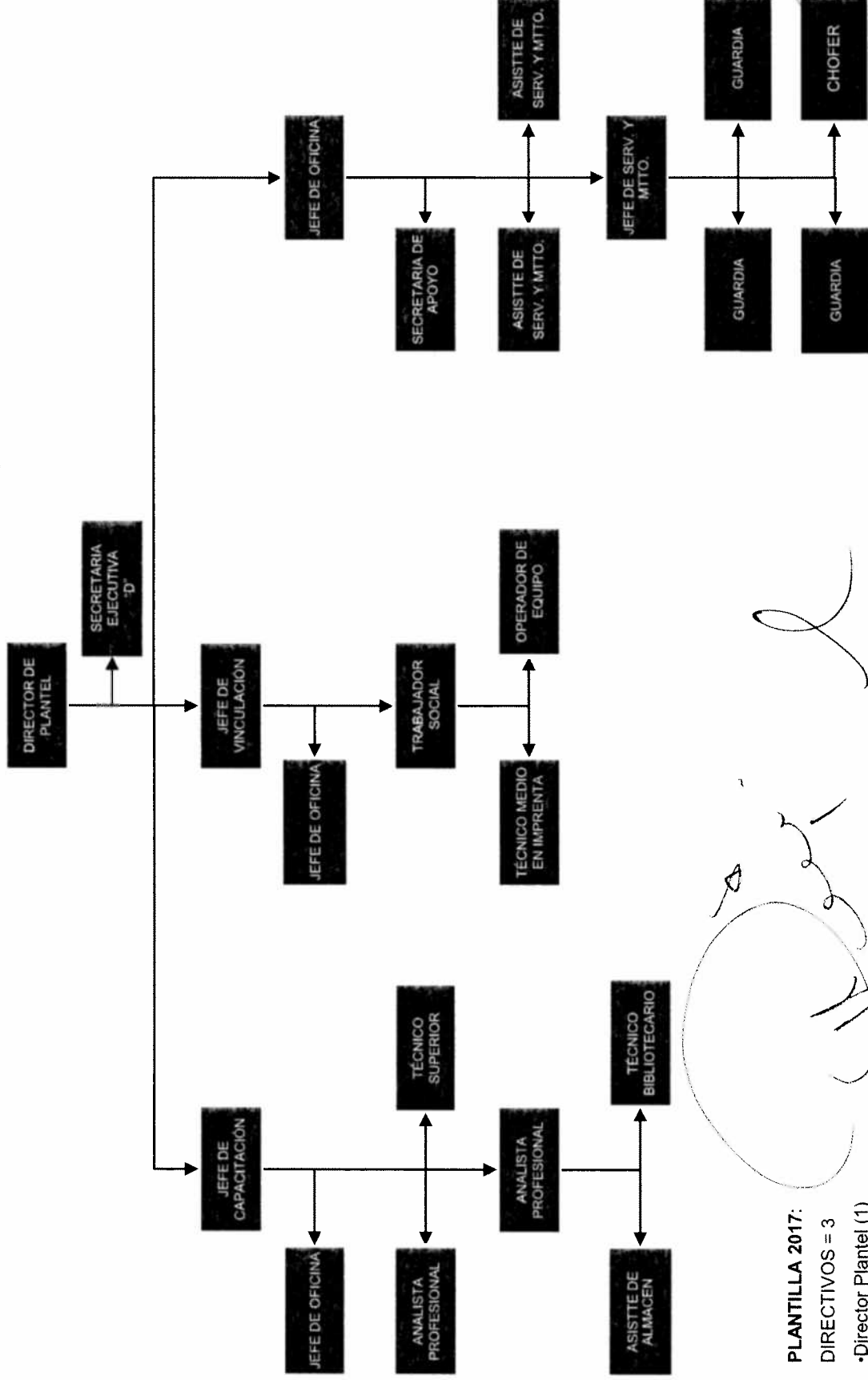
ADMINISTRATIVOS = 16

Total = 19

TIPO "A"

Handwritten signatures and initials are present throughout the page, including a large signature on the right side and several smaller ones at the bottom.

PLANTEL PUERTO VALLARTA II (CENALTUR)



PLANTILLA 2017:

DIRECTIVOS = 3

•Director Plantel (1)

•Jefe de Departamento (2)

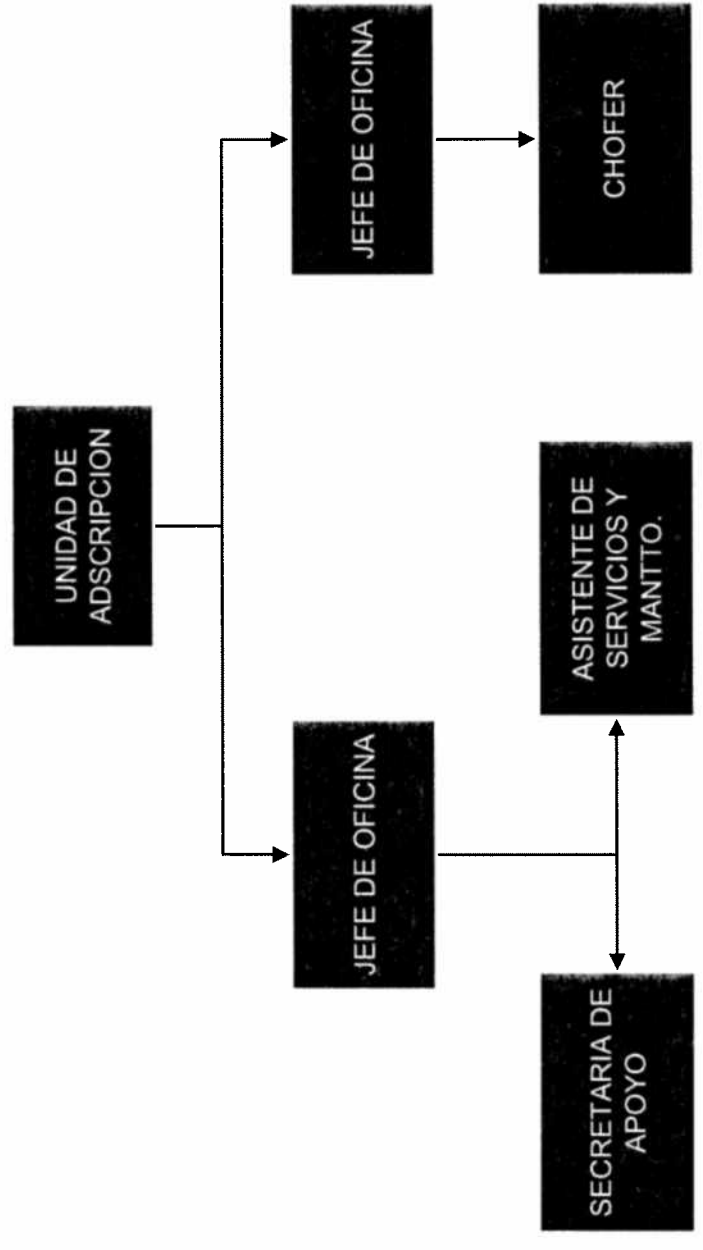
ADMINISTRATIVOS = 20

Total = 23

TIPO= "B"

(Handwritten signatures and initials are present in this area, including a large signature in the center and several smaller ones at the bottom right.)

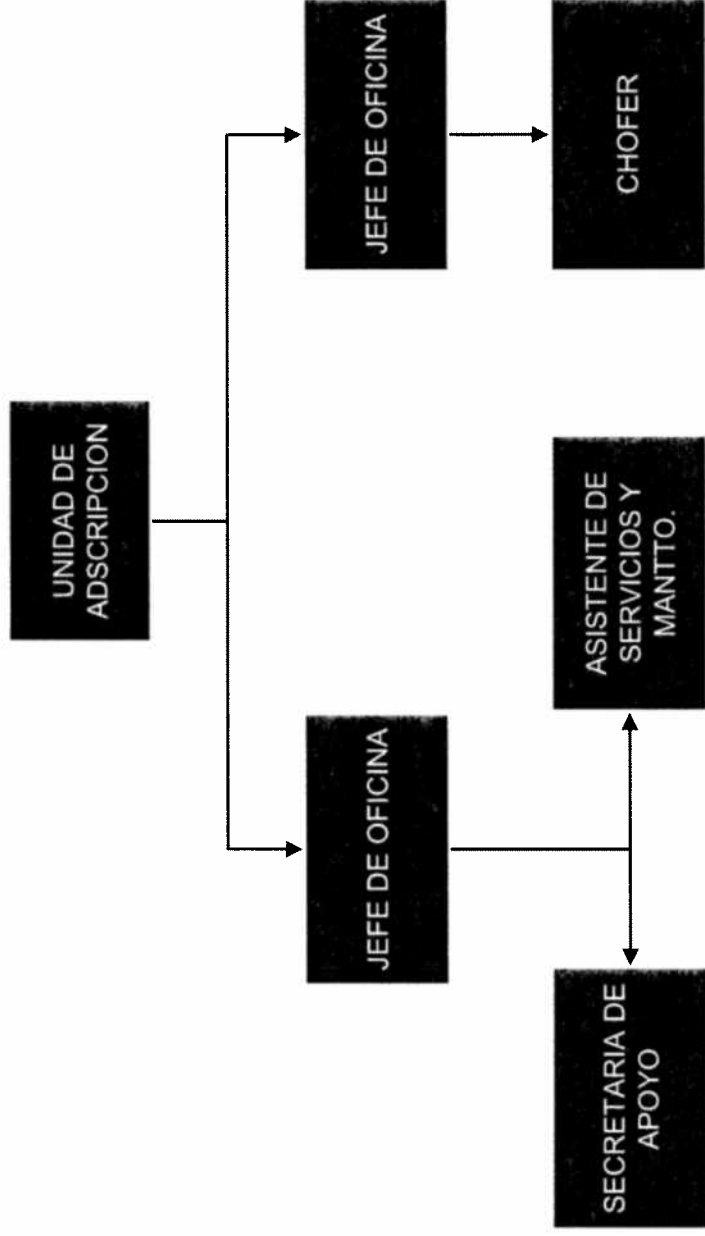
UNIDAD DE ACCIÓN MÓVIL TAMAZULA DE GORDIANO



PLANTILLA 2017:
DIRECTIVOS = 0
•Director Plantel (0)
•Jefe de Departamento = (0)
•Administrativos = (5)

Total = 5

UNIDAD DE ACCIÓN MÓVIL TEPATITLÁN DE MORELOS



PLANTILLA 2017:

DIRECTIVOS = 0

• Director Plantel (0)

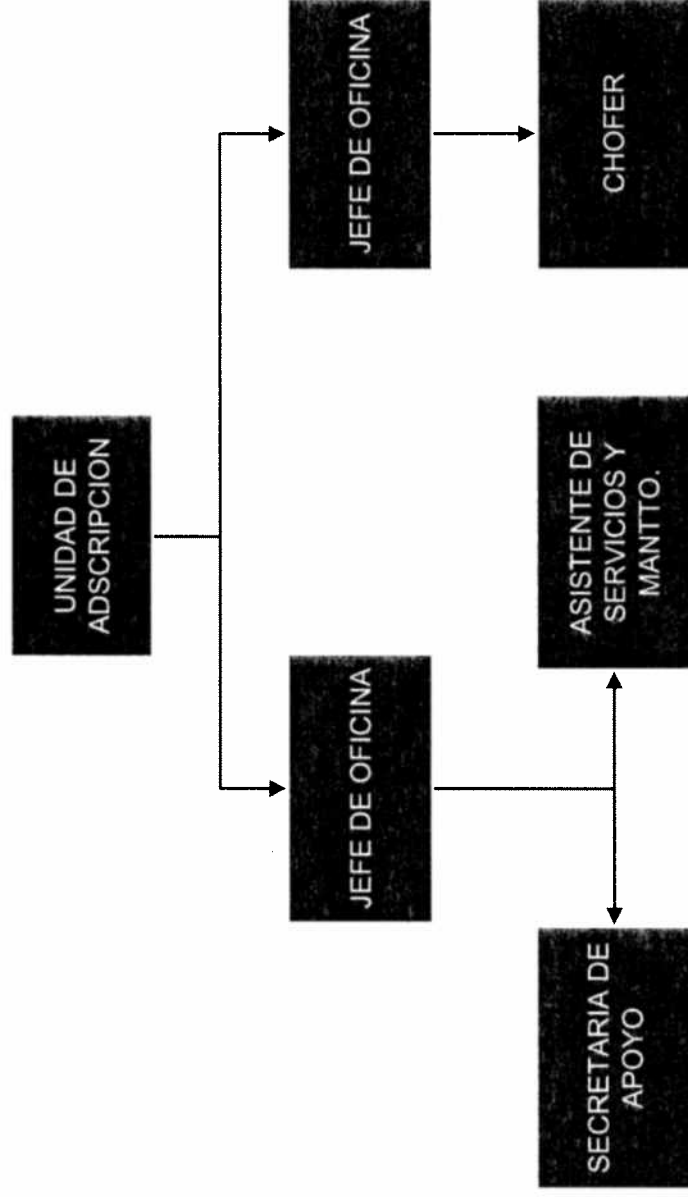
• Jefe de Departamento (0)

• Administrativos = (5)

Total = 5

[Handwritten signatures and initials are present in the right margin of the page, including a large signature at the top right and several smaller ones below it.]

UNIDAD DE ACCIÓN MÓVIL CHAPALA



PLANTILLA 2017:

DIRECTIVOS = (0)

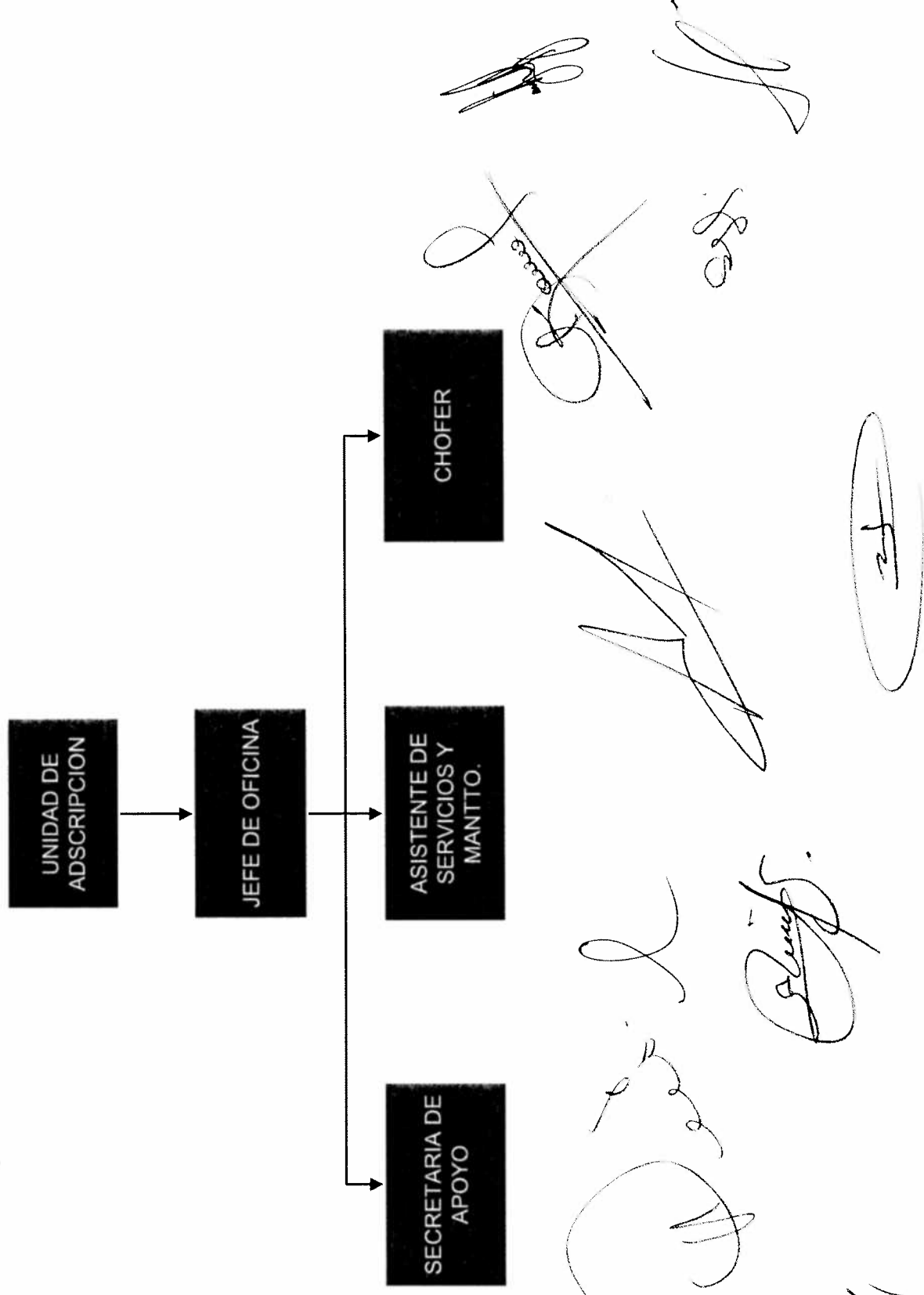
• Director Plantel (0)

• Jefe de Departamento (0)

• Administración = (5)

Total = 5

UNIDAD DE ACCIÓN MÓVIL MASCOTA



PLANTILLA 2017:

DIRECTIVOS = 0

• Director Plantel (0)

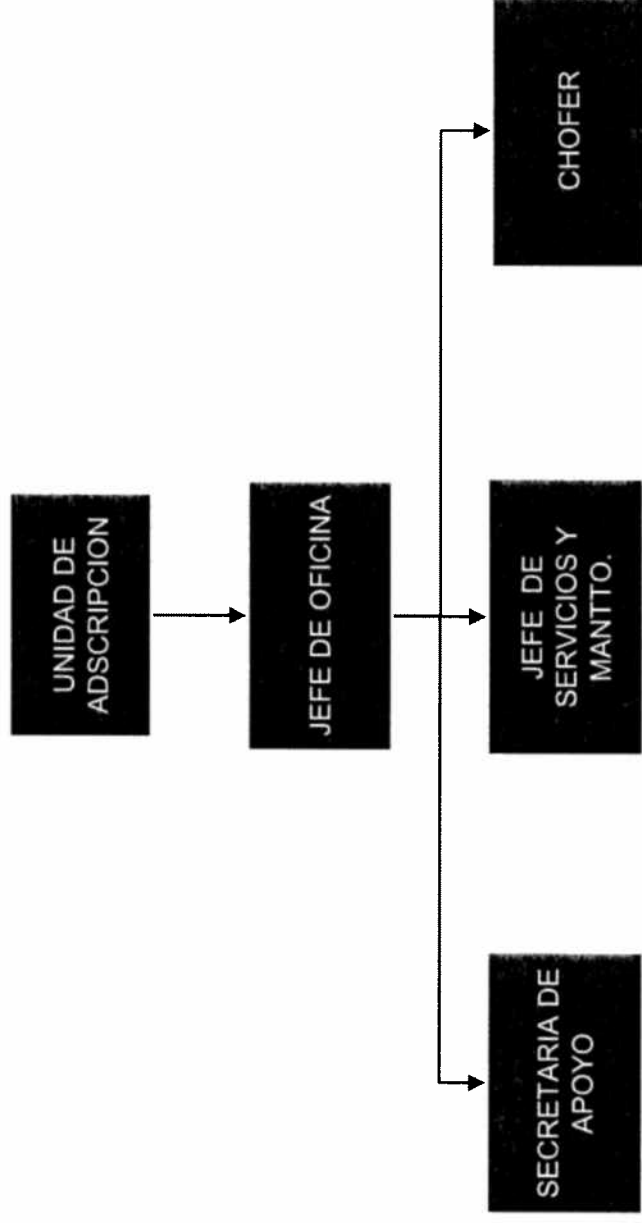
• Jefe de Departamento (0)

• Administrativos = 4

Total = 4

[Handwritten signature]

UNIDAD DE ACCIÓN MÓVIL CIHUATLÁN



PLANTILLA 2017:

DIRECTIVOS = 0

•Director Plantel (0)

•Jefe de Departamento (0)

•Administrativos = 4

Total = 4

[Handwritten signatures and initials are present in the right margin, including a large signature that appears to be 'C. Torres' and several other illegible signatures.]